

# MosquitoSwallow

## 2008 REDESIGN

We are proud to offer a redesigned trap for 2008! For our loyal customers from 2007 and early 2008, we offer replacement parts free of charge. We understand most of our business comes from favorable referrals from our customers, and we want everyone to have the best design possible.

**Why the redesign?** The redesign addresses a recently discovered phenomenon: Mosquito pupae are attracted to intermittent daylight. At the time of the original design, available studies and our own research did not reveal the need of pupae to have exposure to light. In fact, our experiments showed both larvae and pupae treated light and dark the same, and that larvae merely sought out food sources.

We discovered that those mosquitoes that survive to the pupae stage (and do not starve first) crave *some* daylight before evolving into adults. Placement of the 2007 trap in a high-traffic area solves this problem, as does more frequent additions of water. However, we decided the optimal solution was to redesign the trap to allow more light into the inner chamber. This redesign allows the cycles of day and night to reflect inside the trap, keeping the mosquitoes from seeking out daylight on their own.

**What should you do differently with the redesigned trap?** High-traffic areas (such as near the front or back door) are no longer as important. The important part is to place the traps where mosquitoes find shelter and lay eggs. Also, you should add a leaf or two to the top of the open pool every month or so. Instead of the starvation effect, the new design allows for a focus on enhancing the attractiveness of the trap. And remember to add water at least once a week!

## INSTRUCTIONS

### Dismantle your old traps:

- Dump the contents of your traps onto flat pavement, to kill any larvae and pupae in the water.
- Pull the trap apart. Pull the top firmly upward with one hand, keeping a hand on the lower base.
- Rinse the base of the trap out with a hose, dumping all contents.
- If possible in your area, recycle your old tops. (100% ABS plastic.)

### Assemble your traps using the re-designed pieces:

- *Before putting the pieces together or adding water, add a few dead leaves to the empty lower base.* This will provide food inside the trap to keep wandering larvae to a minimum.

- Slide the new top into the base, with the back side of the top fitting snugly between the grooves in the lower base, as shown below in Fig. 1.

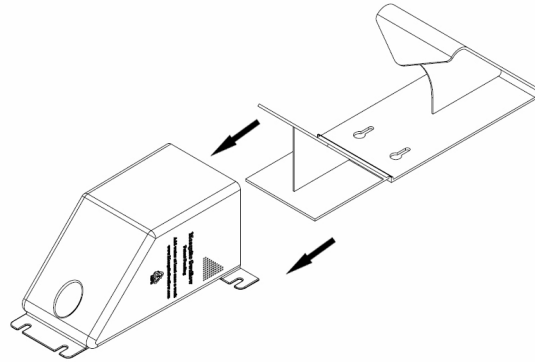


Fig. 1

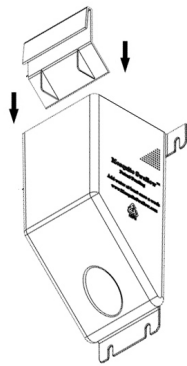


Fig. 2

- Hang the smaller piece onto the front of your trap as shown in Fig. 2.

- When re-assembly is complete, your trap should look like the drawing in Fig. 3.

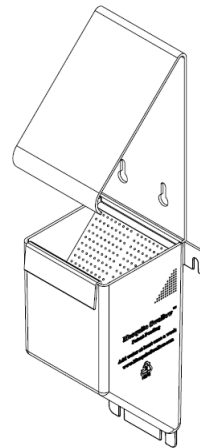


Fig. 3

After re-hanging you traps, fill with water (to the top, until each trap begins draining out the holes on the side), and then drop a leaf or two onto the surface of the water. The water will automatically drain to a level a couple inches below the sides. Once a month or so, when the leaf gets flushed to the inside of the trap, toss another leaf onto the surface of the water.

Please email us at [info@MosquitoSwallow.com](mailto:info@MosquitoSwallow.com) if you have any questions about this redesign. Thanks!